

G. SINGLETON.

TENSION DEVICE FOR SILK SPINNING MACHINES.

No. 340,631.

Patented Apr. 27, 1886.

Fig. 3.

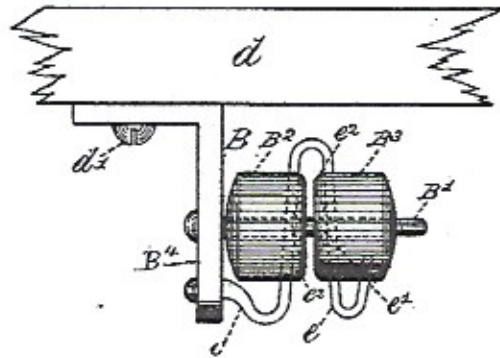
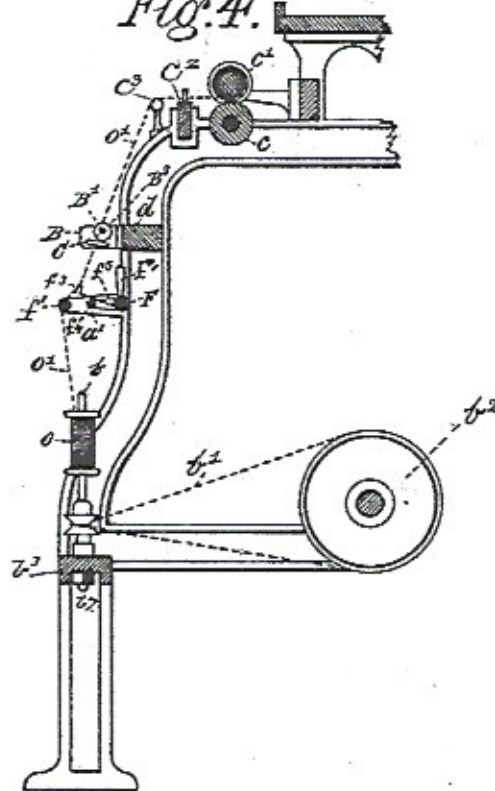


Fig. 4.



Witnesses
 Richard A. Italy
 Fredk. Warner

Inventor
 George Singleton
 by John English atty